



CLD-405-XX

SHG-671/CW

1342-CW-XX 30 May 2008

SHG-532/Q

CLD-635-XX

SHG-532/CW

914-CW-XX

SHG-457/CW 1064-Q-XX

SHG-671/Q

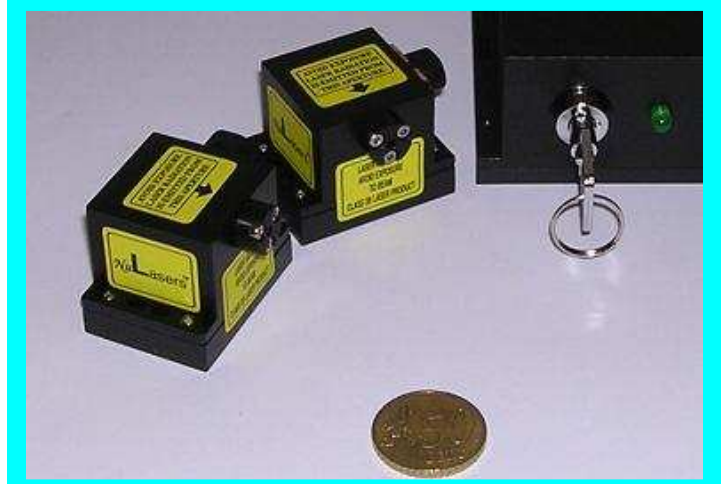
### Wavelength Stable, Miniature Laser Diode Modules and Diode Pumped Lasers

NuLasers™ Ltd. expertise is very compact, TE-cooled, wavelength stable, Laser Diode Modules and Diode Pumped Lasers for direct use or OEM components, in equipment for bioinstrumentation, spectroscopy, imaging, inspection and metrology.

NuLasers™ proprietary technology in lasers reduces the head size to just 30 x 31 x 34 mm.

NuLasers™ models are designed for robustness. Monolithic optical microbench maintains alignment. Temperature stabilization of the Laser Diode and all optical elements provides high pointing stability, low output power fluctuations and stable wavelength.

Customized NuLasers™ models can fit wide user requirements. For more information, please contact.

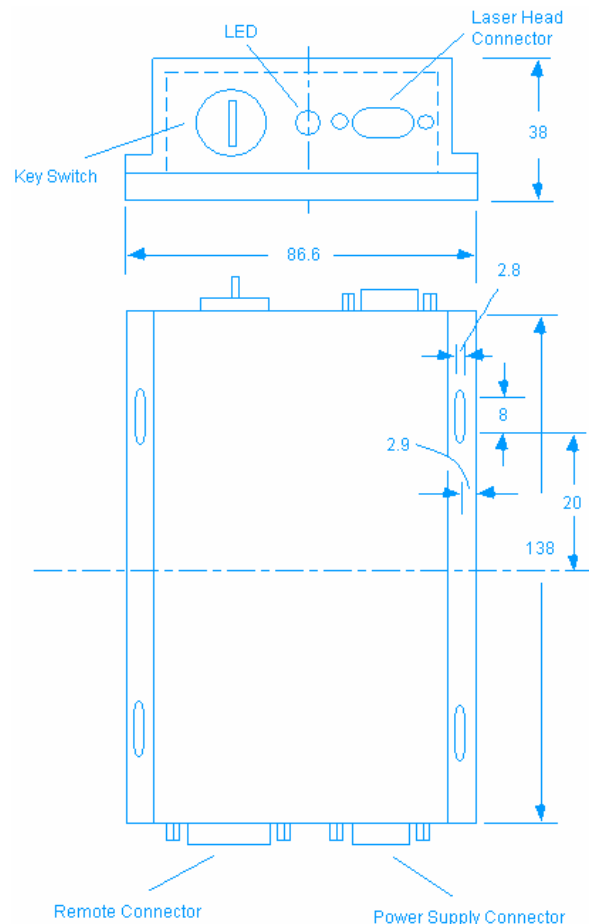
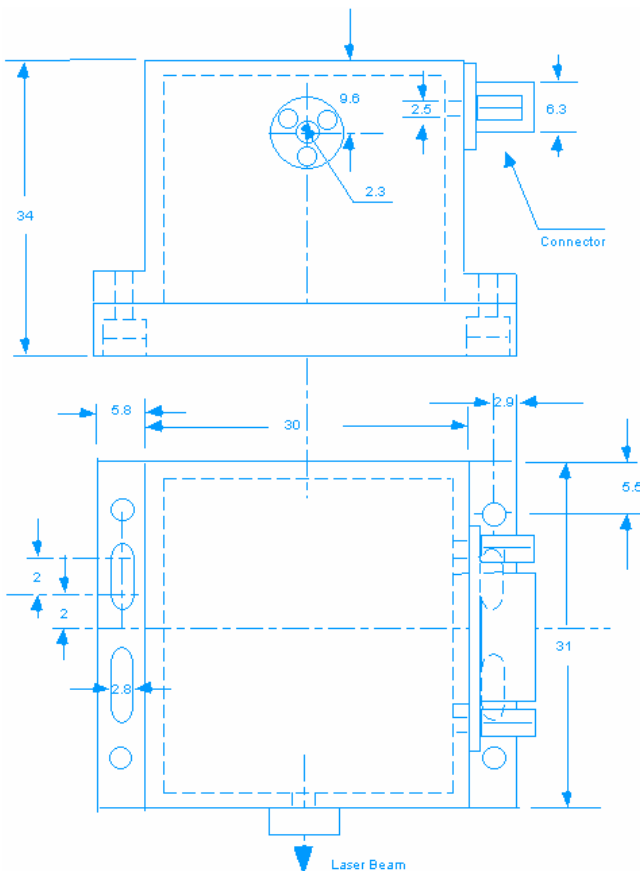


Copyright © nulasers(2005-2010) All rights reserved

**New Products:** [CLD-488-XX Stabilized Laser Diode Module at 488 nm](#)

E-mail: [sales@nulasers.com](mailto:sales@nulasers.com)

Web: [www.nulasers.com](http://www.nulasers.com)



## TE-cooled Laser Diode Modules Parameters

Model	Wavelength[nm]	Output Power[mW]
CLD-375-XX	375	3
CLD-405-XX	405	3,20
CLD-440-XX	440	3
CLD-445-XX	445	200
CLD-473-XX	473	3
CLD-488-XX	488	10 New Product
CLD-635-XX	635	3,20
CLD-650-XX	650	3,20
CLD-670-XX	670	3,20
CLD-690-XX	690	3,20
CLD-780-XX	780	3,20
CLD-808-XX	808	3,20
CLD-830-XX	830	3,20
CLD-850-XX	850	3,20
CLD-904-XX	904	3,20
CLD-980-XX	980	3,20
CLD-1310-XX	1310	3
CLD-1550-XX	1550	3

Wavelength Accuracy +/- 10 nm <sup>(1)</sup>

Line width <1 nm

Beam Quality TEM<sub>00</sub> M<sup>2</sup> < 1.2 <sup>(2,3)</sup>

Beam Divergence < 1.5 mrad

Beam Diameter(1/e<sup>2</sup>) < 2.3 mm

Beam Pointing Stability < 0.1 mrad

Conductive Cooling Laser Head < 10 W

Power Controller < 15 W

Expected Lifetime: 10,000 hours limited by laser diode lifetime

Temperature Stabilization TEC

Operating temperature range +10° to +40°

Storage temperature range -10° to +50°

Noise < 5% rms

Power Consumption < 25 W

Polarization 100:1 Vertical<sup>(4)</sup>

Warm up time <5 min

<sup>(1)</sup> Typical Wavelength Accuracy Specified By Diode Manufacturers

<sup>(2)</sup> For asymmetric beams the M<sup>2</sup> is not applicable

<sup>(3)</sup> Single Mode Laser Diodes

<sup>(4)</sup> Per Requirement

Please contact for custom output power or/and custom wavelength

Options: Customized Configurations, DBR/DFB, Spatial Filtering/Circularized Beam, Fiber Pigtail, Constant Power

## Diode Pumped Laser Parameters

Model	Wavelength[nm]	Output Power[mW]
SHG-457/CW-XX	457	10,15,20
SHG-457/Q-XX	457	10,15,20
SHG-532/CW-XX	532	20,30,40
SHG-532/Q-XX	532	20,30,40
SHG-671/CW-XX	671	15,20,25
SHG-671/Q-XX	671	15,20,25
914-CW-XX	914	25,50,75
914-Q-XX	914	25,50,75
1064-CW-XX	1064	50,100,150
1064-Q-XX	1064	50,100,150
1342-CW-XX	1342	50,75,100
1342-Q-XX	1342	50,75,100

### Diode Pumped CW/Q-Switched Lasers:

Wavelength Accuracy +/- 0.3 nm

Line width < 0.1 nm

Q-Switched Rep Rate 20KHz adjustable

Q-Switched Pulsewidth < 2 nsec

Beam Quality TEM<sub>00</sub> M<sup>2</sup> < 1.2

Beam Divergence    2.5 mrad at 457 nm  
                           2.5 mrad at 532 nm  
                           3.5 mrad at 671 nm  
                           3.0 mrad at 914 nm  
                           3.5 mrad at 1064 nm  
                           3.7 mrad at 1342 nm

Beam Diameter(1/e<sup>2</sup>) 0.3 mm at 457 nm  
                           0.3 mm at 532 nm  
                           0.3 mm at 671 nm  
                           0.4 mm at 914 nm  
                           0.4 mm at 1064 nm  
                           0.4 mm at 1342 nm

Beam Pointing Stability < 0.03 mrad

Conductive Cooling Laser Head < 10 W  
                           Power Controller < 15 W

Expected Lifetime: 10,000 hours limited by laser diode lifetime

Temperature Stabilization TEC

Operating temperature range +10° to +40°

Storage temperature range -10° to +50°

Noise     < 0.5% rms for CW with SLM,  
                   5% rms for Q-Switched  
                   10% rms for CW

Power Consumption < 25 W

Polarization 100:1 Vertical

Warm up time <5 min

Please contact for custom output power or/and custom wavelength

Options: Customized Configurations, Fiber Pigtail, Single Longitudinal Mode (SLM)

**NuLasers™** continuously upgrading all models. Specifications may change without notice.